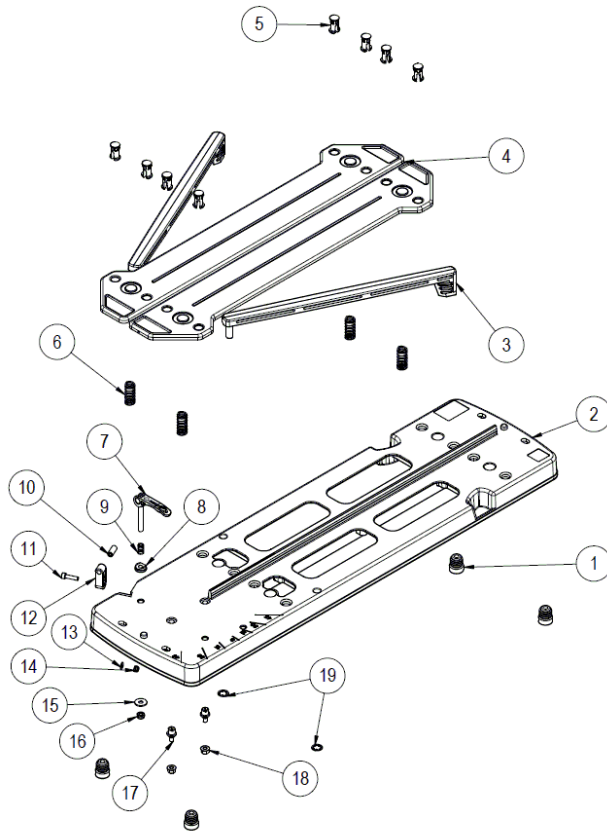


Part-list	ES	EN	Prod.	
1	A	GRUPO BASE TR-710 MAGNET	BASE GROUP TR-710 MAGNET	17906, 17908
2	B	GRUPO ESCUADRA Y TOPE LATERAL	SQUARE AND LATERAL STOP GROUP	
3	C	GRUPO GUIAS Y SOPORTES	GUIDE AND SUPPORT GROUP	
4	D	GRUPO PORTHERRAMIENTAS Y CORREDERAS	TOOLHOLDER AND SLIDER GROUP	

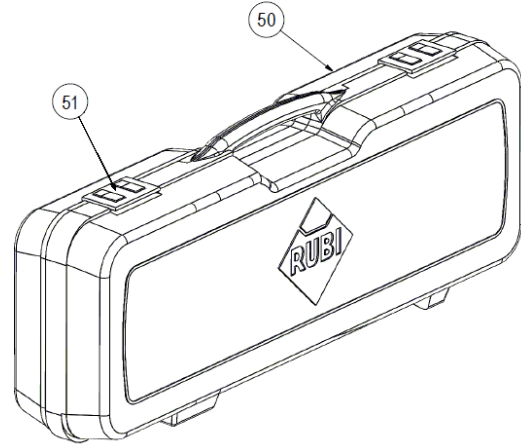
Prod.	ES	EN	From serial num.
17905	TR-600 MAGNET -CORTADOR MANUAL	TR-600 MAGNET	7178
17906	TR-710 MAGNET -CORTADOR MANUAL	TR-710 MAGNET	4522
17907	TR-600 MAGNET INCH -CORTADOR MANUAL	TR-600 MAGNET INCH	7178
17908	TR-710 MAGNET INCH -CORTADOR MANUAL	TR-710 MAGNET INCH	4522

Queda reservado el derecho de introducir cualquier modificación técnica sin previo aviso

We reserve the right to introduce any technical modification without previous notice

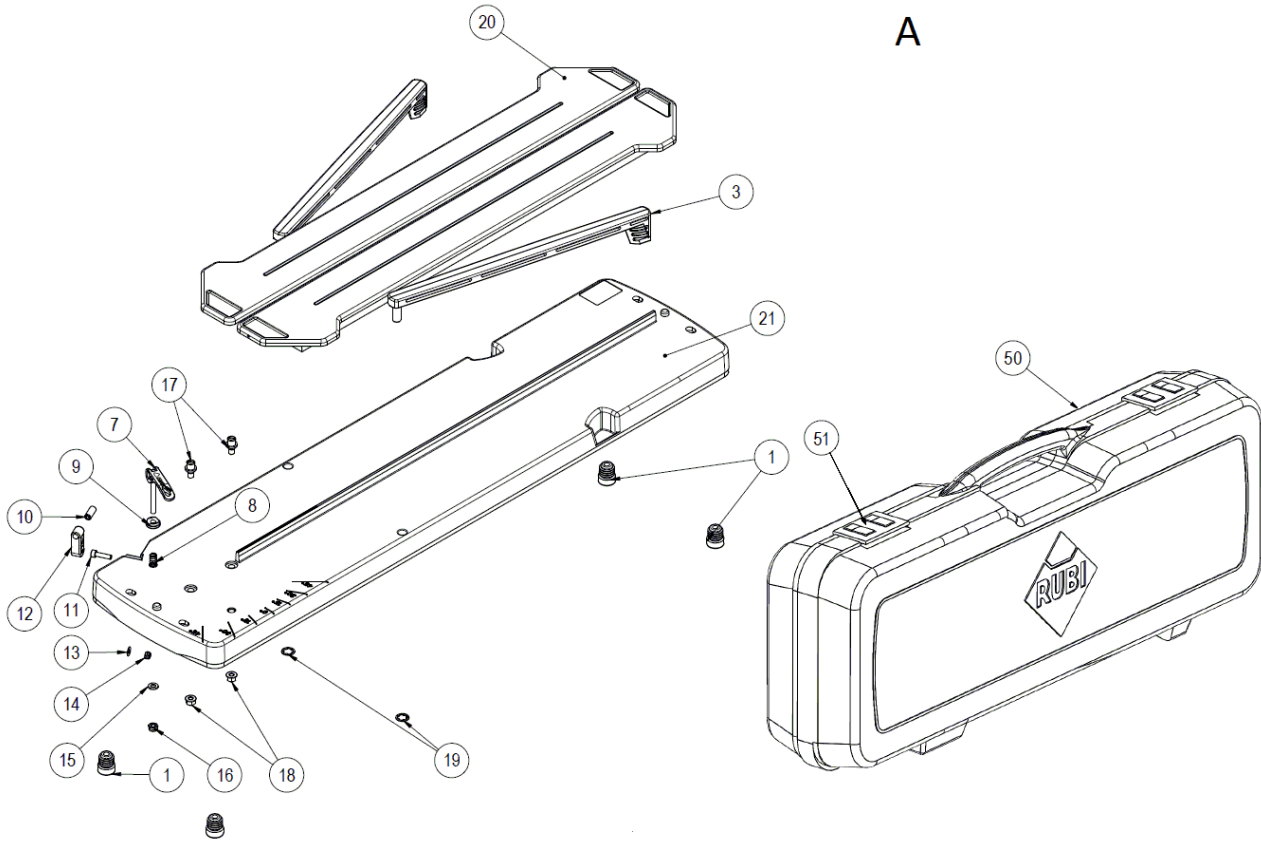


A

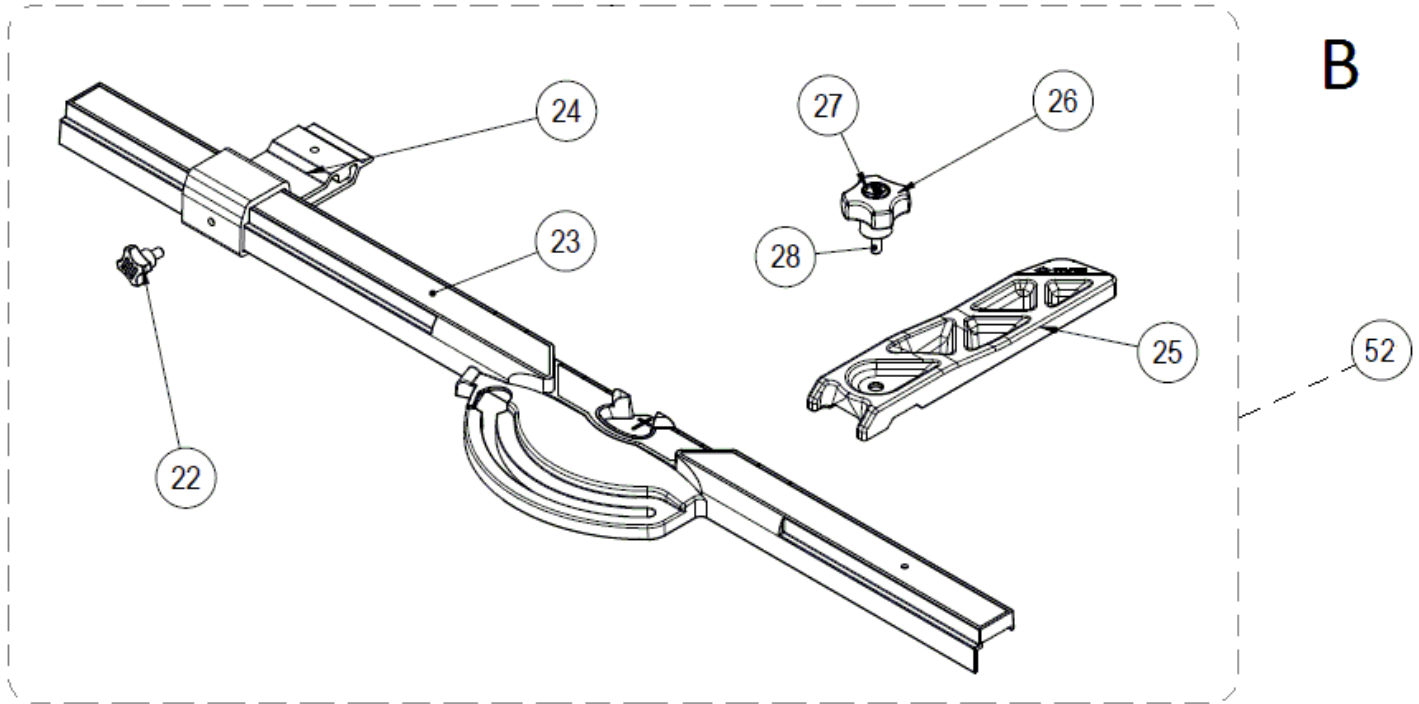


Part-list	ES	EN	Prod.	
1	17549 4	CONTERA GOMA ESF.Ø 21X25	RUBBER ROUND RIBBED INSERT Ø21X25	17905, 17907
2	18425 1	BASE TR-600 MAGNET	BASE TR-600 MAGNET	17905, 17907
3	17216 2	BRAZO APOYO TR-600	SUPPORT ARM FOR TR-600	17905, 17907
4	17891 2	BASE FLOTANTE TR-600	FLOATING BASE TR-600	17905, 17907
5	12086 8	CLIP BASE FLOTANTE TI	CLIP FLOATING BASE TI	17905, 17907
6	12097 4	MUELLE COMPRESION 35,2X13 Ø1,7	COMPRESSION SPRING 35,2X13 Ø1,7	17905, 17907
7	14117 1	CIERRE RAPIDO M6X35 NEGRO	CAM LEVER M6X42 BLACK	17905, 17907
8	14089 1	ARAND CON INSERTO PARA REF:14117	WASHER AND INSERT FOR REF:14117	17905, 17907
9	12403 1	MUELLE COMPRESION 15,2X7,8 Ø0,8	COMPRESSION SPRING 15,2X7,8 Ø0,8	17905, 17907
10	17662 1	PRISIONERO DIN 913 M8X20 PRES.	PIN DIN 913 M8X20 PRES.	17905, 17907
11	17005 1	TORN DIN 912 M5X20 6.8 ZN BLANCO	SCREW DIN 912 M5X20 6.8 ZP WHITE	17905, 17907
12	17661 1	TOPE 0° TR V2	TOP 0 DEGREES TR V2	17905, 17907
13	17221 1	ARAND DIN 137B 5,3	WASHER DIN 137 B-5,3	17905, 17907
14	40045 1	TUERCA DIN 985 M5 CL8 ZN AUTOBLOC	HEX LOCK NUT DIN 985 M5 CL8 ZP	17905, 17907
15	45038 1	ARAND DIN 9021 A6,4 ZN	WASHER DIN 9021 A6,4 ZP	17905, 17907
16	40020 1	TUERCA DIN 985 M6 CL8 ZN AUTOBLOC	HEX LOCK NUT DIN 985 M6 CL8 ZP	17905, 17907
17	17714 2	EJE PIVOTAJE TR V2	PIVOTING AXLE TR V2	17905, 17907
18	83035 2	TUERCA DIN 6923 M6 CL8 ZN	NUT DIN 6923 M6 CL8 ZP	17905, 17907
19	17223 2	ARAND A10 RETENCION DENTADA	SERRATED RING WASHER DIA10	17905, 17907
50	18432 1	MALETA TR-600 V3	CASE TR-600 V3	17905, 17907
51	15761 2	CIERRE MALETA 89X54 TS50/60,TR, TM, TX	PLASTIC LATCH 89X54 (TS50/60,TR, TM, TX)	

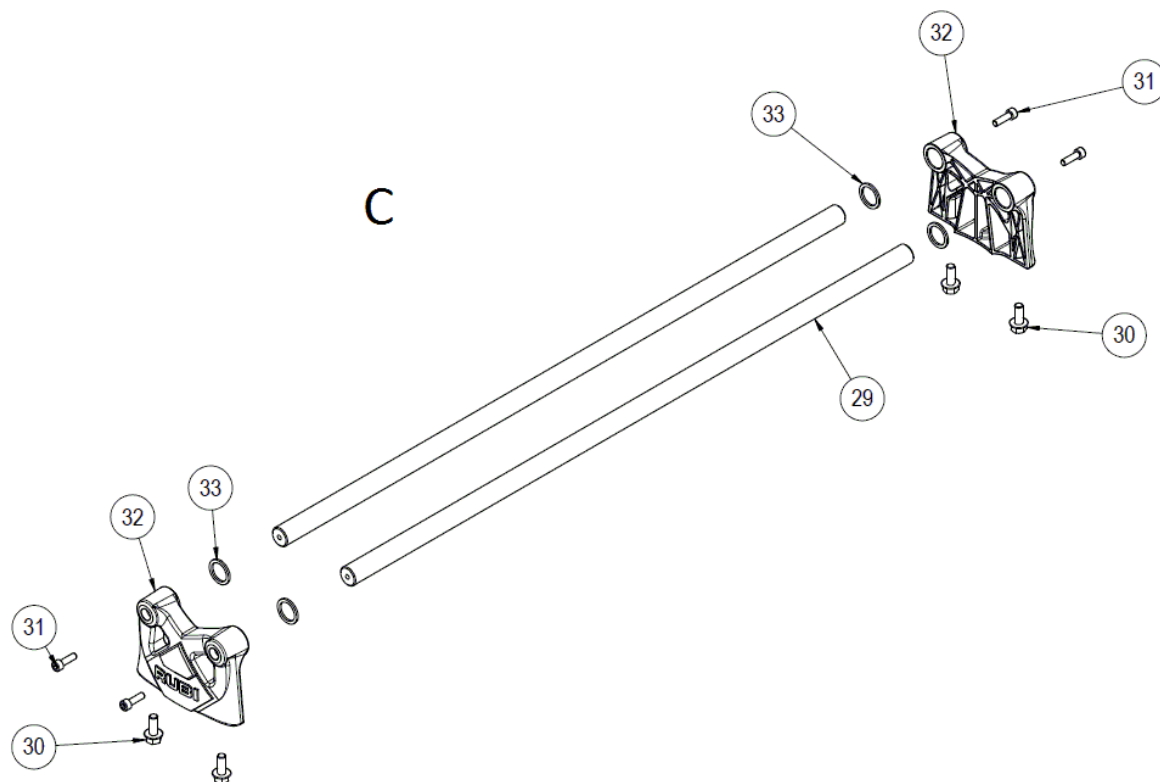
A



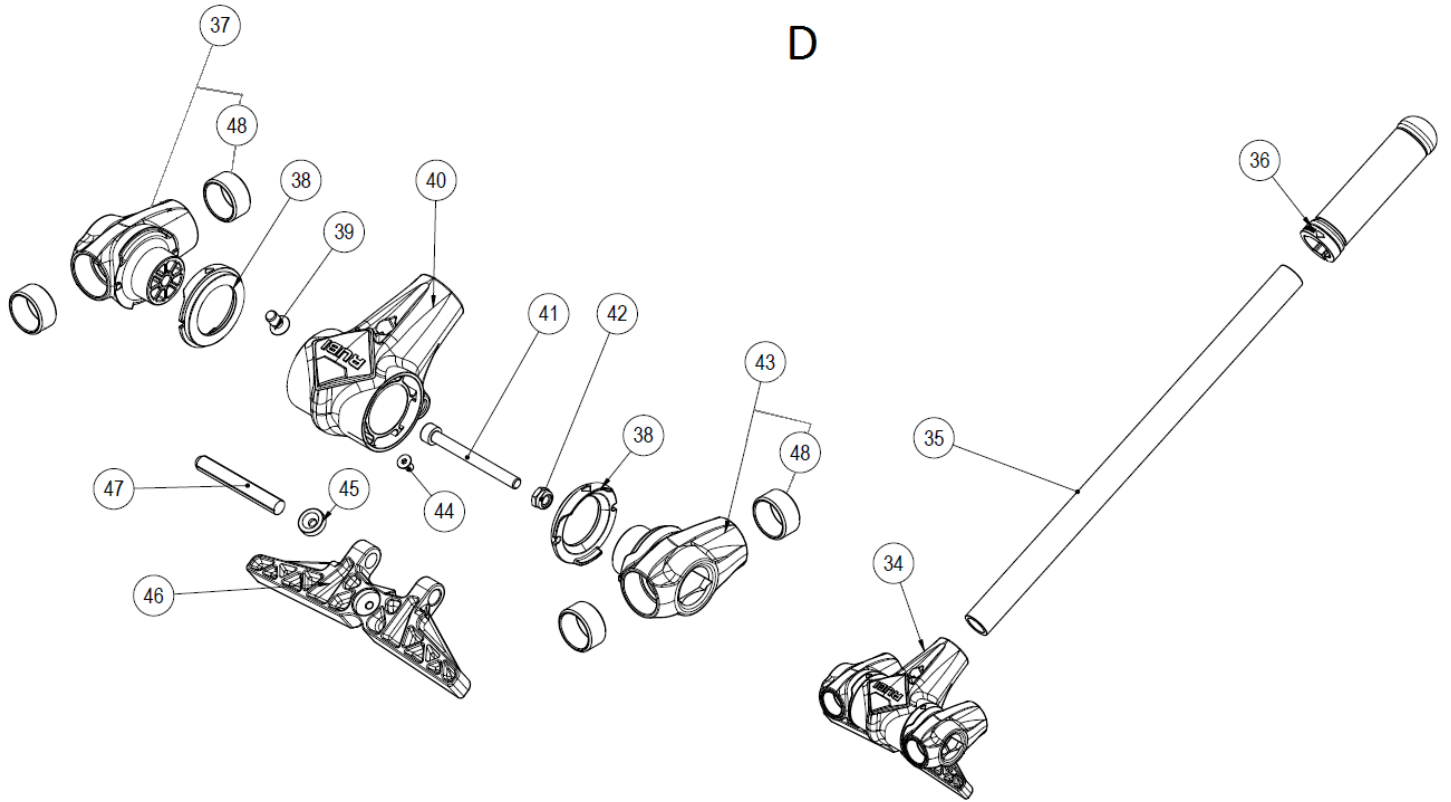
Part-list	ES	EN	Prod.	
1	17549 4	CONTERA GOMA ESF.Ø 21X25	RUBBER ROUND RIBBED INSERT Ø21X25	17906, 17908
3	17216 2	BRAZO APOYO TR-600	SUPPORT ARM FOR TR-600	17906, 17908
7	14117 1	CIERRE RAPIDO M6X35 NEGRO	CAM LEVER M6X42 BLACK	17906, 17908
8	12403 1	MUELLE COMPRESION 15,2X7,8 Ø0,8	COMPRESSION SPRING 15,2X7,8 Ø0,8	17906, 17908
9	14089 1	ARAND CON INSERTO PARA REF:14117	WASHER AND INSERT FOR REF:14117	17906, 17908
10	17662 1	PRISIONERO DIN 913 M8X20 PRES.	PIN DIN 913 M8X20 PRES.	17906, 17908
11	17005 1	TORN DIN 912 M5X20 6.8 ZN BLANCO	SCREW DIN 912 M5X20 6.8 ZP WHITE	17906, 17908
12	17661 1	TOPE 0º TR V2	TOP 0 DEGREES TR V2	17906, 17908
13	17221 1	ARAND DIN 137B 5,3	WASHER DIN 137 B-5,3	17906, 17908
14	40045 1	TUERCA DIN 985 M5 CL8 ZN AUTOBLOC	HEX LOCK NUT DIN 985 M5 CL8 ZP	17906, 17908
15	25177 1	ARAND DIN 125 A6,4 ZN	WASHER DIN 125 A6,4 ZP	17906, 17908
16	40020 1	TUERCA DIN 985 M6 CL8 ZN AUTOBLOC	HEX LOCK NUT DIN 985 M6 CL8 ZP	17906, 17908
17	17714 2	EJE PIVOTAJE TR V2	PIVOTING AXLE TR V2	17906, 17908
18	83035 2	TUERCA DIN 6923 M6 CL8 ZN	NUT DIN 6923 M6 CL8 ZP	17906, 17908
19	17223 2	ARAND A10 RETENCION DENTADA	SERRATED RING WASHER DIA10	17906, 17908
20	17874 2	COM.ESPONJAS TR-700 V2	SPONGE SET TR-700 V2	17906, 17908
21	18426 1	BASE TR-700 MAGNET	BASE TR-700 MAGNET	17906, 17908
50	18433 1	MALETA TR-700 V3	CASE TR-700 V3	17906, 17908
51	15761 2	CIERRE MALETA 89X54 TS50/60,TR,TM,TX	PLASTIC LATCH 89X54 (TS50/60,TR,TM,TX)	



Part-list	ES	EN	Prod.	
22	17021 1	COM.POMO M6X10 ROJO	RED KNOB SET M6X10	
23	18738 1	RECAMBIO ESCUADRA TR MAGNET MM	SQUARE TR MAGNET SET MM	17905, 17906
23	18739 1	RECAMBIO ESCUADRA TR MAGNET INCH	SQUARE TR MAGNET SET INCH	17907, 17908
24	18423 1	GUIA TOPE LATERAL TR MAGNET	LATERAL TOP GUIDE TR MAGNET	
25	18424 1	TOPE LATERAL GIRATORIO TR MAGNET	ROTATING LATERAL TOP TR MAGNET	
26	13255 1	POMO M6 ESTANDAR ROJO V2	RED STANDARD M6 KNOB V2	
27	57485 1	TAPON POMO M6 ROJO	RED COVER KNOB M6	
28	7357 1	TORN DIN 933 M6X30 6.8 ZN	SCREW DIN 933 M6X30 6.8 ZP	
52	18818 1	REC.ESCUADRA TR MAGNET INCH C/TOPE LAT.	SQUARE SET INCH TR MAGNET W/LAT.STOP	17907, 17908
52	18817 1	REC.ESCUADRA TR MAGNET MM C/TOPE LATERAL	SQUARE SET MM.TR MAGNET W/LAT.STOP	17905, 17906



Part-list	ES	EN	Prod.	
29	18406 2	GUIA Ø 20 L=747,5 CROMADA	CHROMING GUIDE Ø 20 L=747,5	17905, 17907
29	18407 2	GUIA Ø 20 L=865,5 CROMADA	CHROMING GUIDE Ø 20 L=865,5	17906, 17908
30	15191 4	TORN DIN 6921 M8X20 6.8 ZN BLANCO	SCREW DIN 6921 M8X20 6.8 ZP WHITE	
31	18638 4	TORN DIN 912 M6X20 6.8 PVN PRESELLADO	SCREW DIN 912 M6X20 6.8 BLUED PRELOCK	
32	18412 2	SOPORTE TR MAGNET MECANIZADO	SUPPORT TR MAGNET	
33	13336 4	TOPE CORREDERA Ø20X26X2	CARRIER TOP 20X26X2	



Part-list	ES	EN	Prod.
34	18802 1	CJ.SEPARADOR TR/SPEED MAGNET	SEPARATOR SET TR/SPEED MAGNET
35	17706 1	PALANCA M16X1,5 L=400 CARRITO TZ	LEVER M16X1,5 L=400 TOOLHOLDER TZ
36	17751 1	MANGO RUBI Ø22	HANDLE RUBI Ø22
37	14433 1	CJ.CORREDERA ENCASQ.SPEED MAGNET DER.	RIGHT SLIDER W/BUSHING SPEED MAGNET
38	14190 2	DISTANCIADOR SPEED N PA	SPEED N SPACER PA
39	14578 1	TORN DIN 7500 M6X12 8.8 ZN AVELL.HEXALOB	SCREW DIN 7500 M6X12 8.8 ZP
40	14003 1	PORTAHERRAM.SPEED MAGNET	TOOLHOLDER SPEED MAGNET
41	5081 1	TORN DIN 912 M6X60 6.8 ZN	SCREW DIN 912 M6X60 6.8 ZP
42	40020 1	TUERCA DIN 985 M6 CL8 ZN AUTOBLOC	HEX LOCK NUT DIN 985 M6 CL8 ZP
43	14432 1	CJ.CORREDERA ENCASQ.SPEED MAGNET IZQ.	LEFT SLIDER W/BUSHING SPEED MAGNET
44	14579 1	TORN DIN 7500 M4X8 8.8 ZN AVELL.HEXALOB.	SCREW DIN 7500 M4X8 8.8 ZP
45	14118 1	IMAN Ø 4,5X14X4 F=32N	MAGNET Ø 4,5X14X4 F=32N
46	14004 1	PISADOR SPEED MAGNET	SPEED MAGNET BREAKING FEET
47	14330 1	PASADOR DIN 1475 D8X60 PVN	PIN DIN 1475 D8X60 BLACKENING TREATMENT
48	13367 4	COJINETE 20X24X12	BEARING 20X24X12